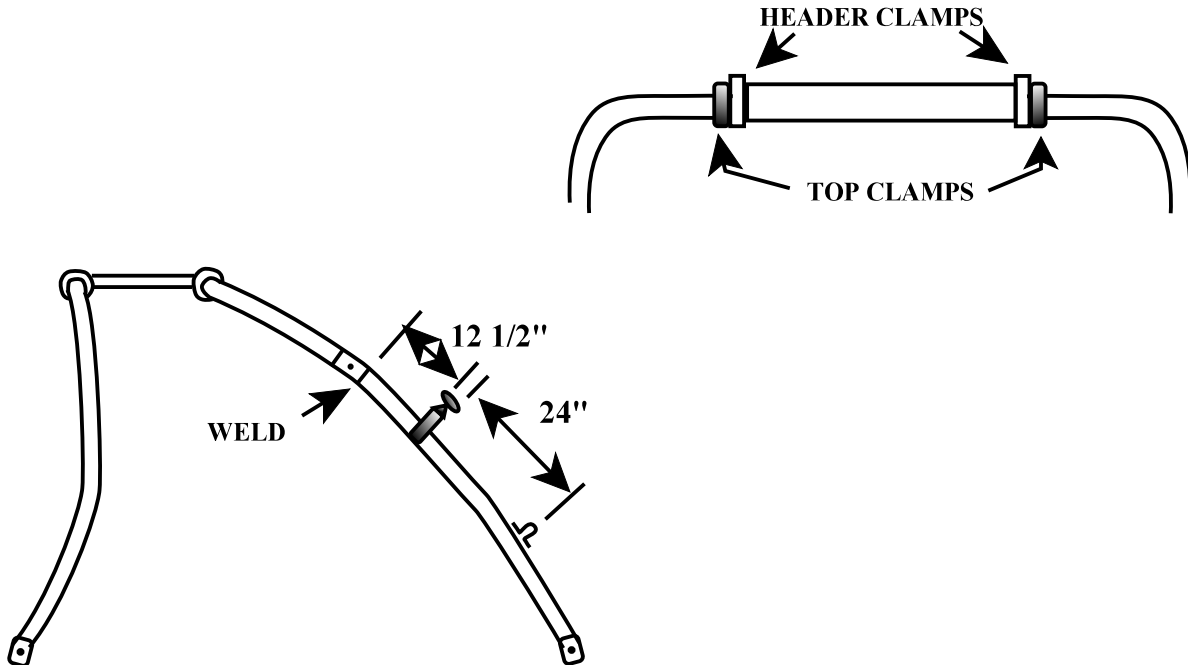


2007 XTREME TOWER PRODUCTS

SMALL, MEDIUM UNIVERSAL TOWER
BIMINI TOP MOUNTING INSTRUCTION



1) MEASURE DOWN FRONT TOWER LEG 12 ½" FROM BOTTOM HINGE WELD FOR TOP OF MAIN BOW CLAMP. ALLOW ROTATION FROM STRAIGHT UP TO INBOARD FOR FIT, DEPENDING ON SPREAD OF TOWER.

2) INSTALL TOP CLAMPS ON OUTER TUBES AND PUSH INBOARD TO ENDS OF HEADER TUBE. MEASURE UP FROM FLOOR OF BOAT TO CENTER OF THUMBSCREW TO LEVEL EACH SIDE.

3) MEASURE DOWN THE FRONT TOWER LEG 24" FROM BOTTOM OF MAIN BOW CLAMP MOUNT FOR THE CENTER OF THE FRONT STRAP EYE. PLACE STRAP EYE ON TOP OF TOWER LEG.

PACKAGED HARDWARE

- 4 - SIDE CLAMP MOUNTS W/TWIST KNOBS - X-LARGE
- 2 - STRAP EYES
- 4 - #8 X 3/4" TEK SCREWS

7/13/06